

3-IN-1 MOBILE LAUNDRY CENTRE

The easy way to manage your laundry

Full-sized board

So compact, yet has amazing abilities!



3yr
warranty

Folds away simply, in a matter of seconds



So easy to set up and hide away:



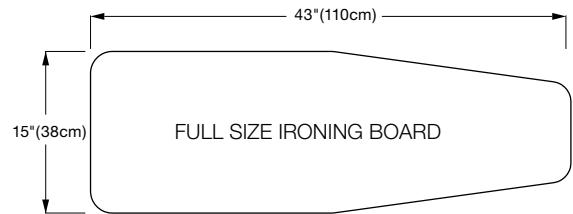
The 3-IN-1 Mobile Laundry Centre is an internationally acclaimed Australian design – innovation combined with practicality.

ITEM# MLC-01

BETTER *LifeStyle*
PRODUCTS

3-IN-1 MOBILE LAUNDRY CENTRE

MLC-01



Designed to replace a number of laundry essentials, thus reducing your actual space requirements by more than two thirds when the unit is packed away.

- Space-saving design
- Folds out in seconds
- Wheels for mobility
- 3 basket drawers
- Full-sized board
- Hanging rack
- Iron rest
- Clothes hamper

Accessories:



Natural Cover
COVER-NT



Teflon Cover
COVER-TC

STEAM
IRON READY

For seamless integration.



www.betterlifestyleproducts.com

BETTER *LifeStyle*
PRODUCTS

WALL-MOUNTED IRONING CENTRE

Easy do-it-yourself installation
Compact-sized board



Easily folds out...

...easily folds away!

Simple open and close:



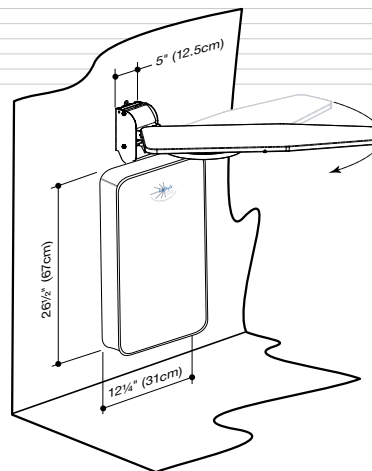
With a compact-sized 180° swivel board, this Lifestyle Ironing Centre easily mounts to walls or cabinets, especially in narrow spaces.

ITEM# OSUM-01

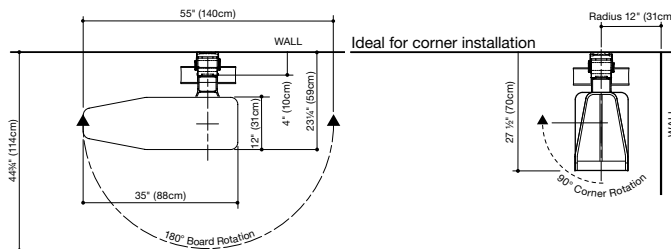
BETTER *Lifestyle*
PRODUCTS

WALL-MOUNTED IRONING CENTRE

OSUM-01



Can also be used for cabinet installation.



Designed especially with a narrow width to fit into tight spaces and built in cabinets. It has a rectangular shaped heavy duty soft cover which sits in a vertical orientation on the wall.

- Compact 3/4 size 180° swivel board
- Iron rest
- 35" (88cm) x 12" (31cm)
- Easy D.I.Y. installation (fasteners and wallplate kit included)
- Fabric wall cover

Accessories:



Natural Cover
COVER-NT-CPT



Teflon Cover
COVER-TC-CPT



Additional Plate
Kit OSUM-01-WPK

www.betterlifestyleproducts.com

BETTER *Lifestyle*
PRODUCTS

WALL-MOUNTED IRONING CENTRE

Easy do-it-yourself installation
Large-sized board

Easily folds out...



3yr
warranty

...easily folds away!



Simple open and close:



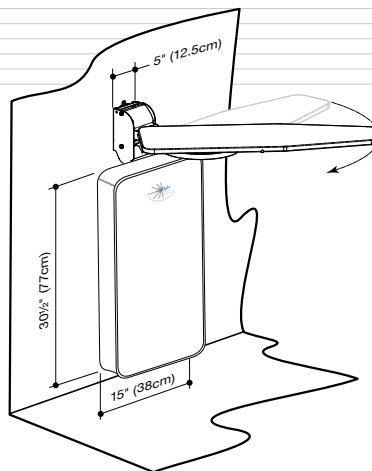
With a **large-sized 180° swivel board**, this Lifestyle Ironing Centre easily mounts to walls or cabinets, especially in narrow spaces.

ITEM# OSUV-01

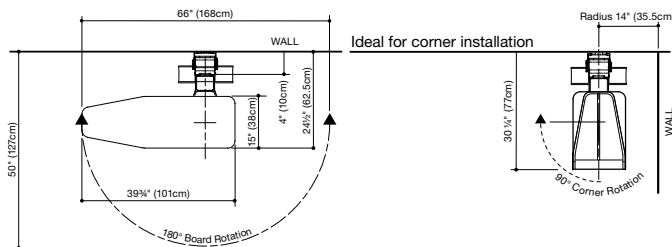
BETTER *Lifestyle*
PRODUCTS

WALL-MOUNTED IRONING CENTRE

OSUV-01



Can also be used for cabinet installation.



Designed especially with a narrow width to fit into tight spaces and built in cabinets. It has a rectangular shaped heavy duty soft cover which sits in a vertical orientation on the wall.

- Large-size 180° swivel board 40" (101cm) x 15" (38cm)
- Fabric wall cover
- Iron rest
- Easy D.I.Y. installation (fasteners and wallplate included)

Accessories:



Natural Cover
COVER-NT-V



Teflon Cover
COVER-TC-V



Additional Plate
Kit OSUV-01-WPK

www.betterlifestyleproducts.com

BETTER *Lifestyle*
PRODUCTS

WALL-MOUNTED IRONING CENTRE

Easy do-it-yourself installation
Full-sized board



Easily folds out...

3yr
warranty



...easily folds away!

Simple open and close:



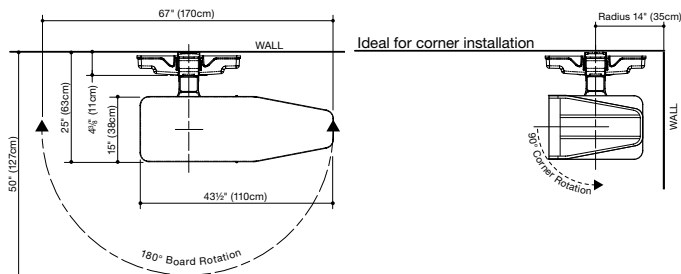
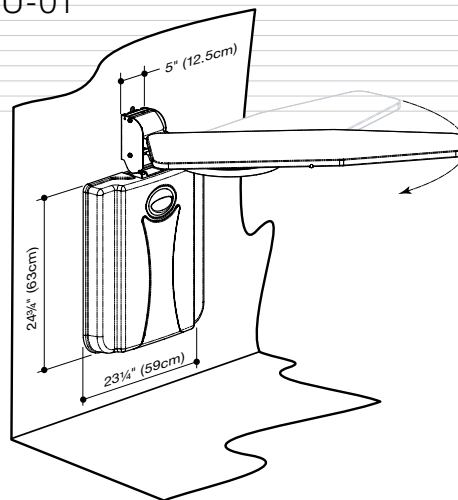
The Lifestyle Ironing Centre easily mounts to walls or cabinets with a full-sized 180° swivel board.

ITEM# OSU-01

BETTER *Lifestyle*
PRODUCTS

WALL-MOUNTED IRONING CENTRE

OSU-01



The original full size ironing board with a hard ABS wall cover – plus a specially designed hanging rack for garments.

- Full-sized 180° swivel board
43"(110cm) x 15"(38cm)
- ABS plastic wall cover
- Hanging rack
- Iron rest
- Easy D.I.Y. installation
(fasteners and wall plate kit included)

Accessories:



Natural Cover
COVER-NT



Teflon Cover
COVER-TC



Décor Hard Cover
OSU-01-ABS



Additional Plate
Kit OSU-01WPK

www.betterlifestyleproducts.com

BETTER *Lifestyle*
PRODUCTS